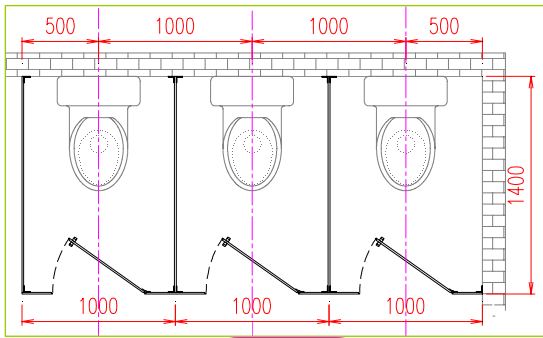


Episode Partition Installation Guide

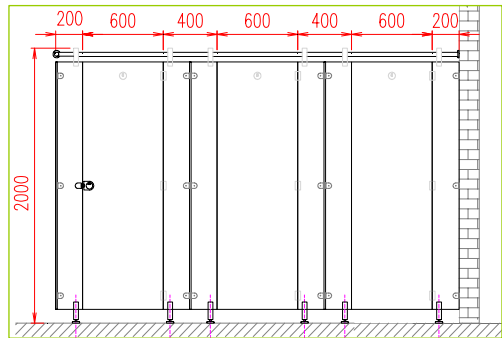
1, Preparation Work

- a Tool: kirner, electric drill, inner hexagon spanner, line-drawing machine, band tape, level instrument, verticality instrument and ect;
- b The restroom is clean;
- c Read the design layout;
- d Mark the direction of water pipe and electrical wire;
- e Read the packing list and get the parts following the paking list ;
- f All the parts should be laid on packing paper to advoid the damage;
- g Stand the board.

Example: Width 1000mm, Depth 1400mm,
thickness 12mm,



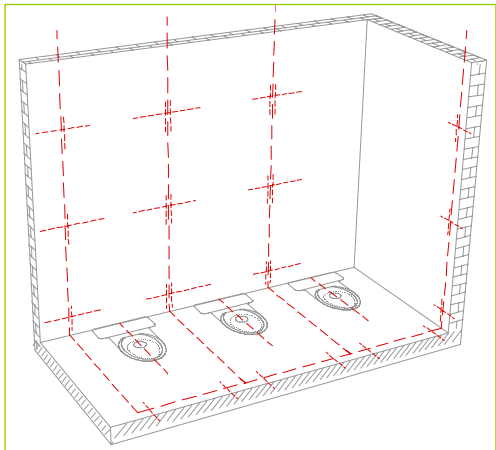
overlook



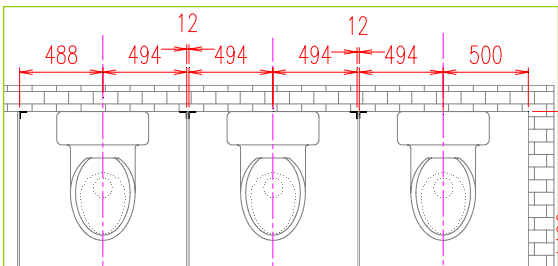
front view

2, Line drawing

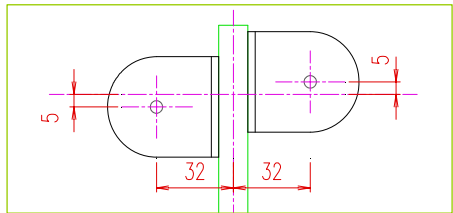
- a Draw the line for corner fastener and support legs. Two corner fastener on divider should shift 5mm in case of crashing of the screw
- b 计算尺寸时注意边板盖见光板;
- c Check the accuracy of the line when finish drawing

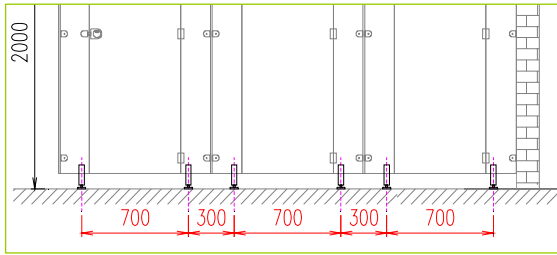


(a)

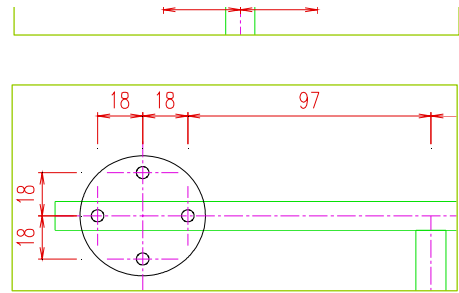


corner fastener





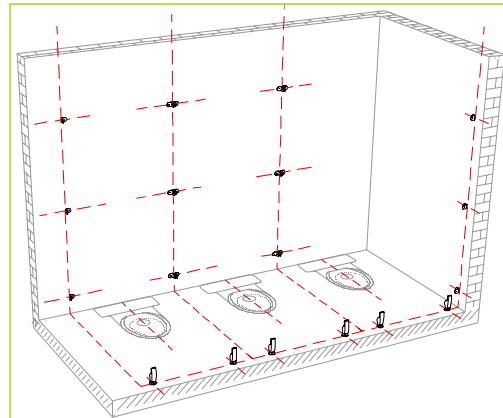
(c)



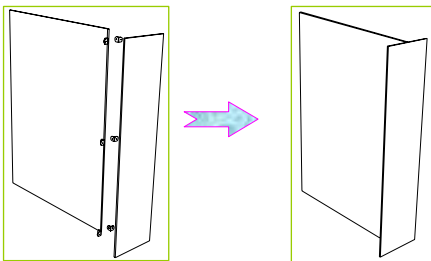
(b)

3. Installation of corner fastener and support leg

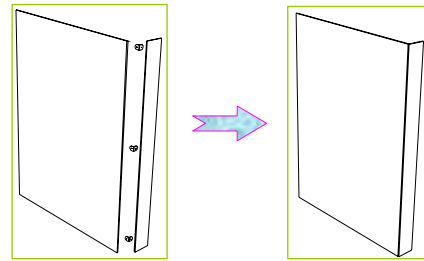
- a put into dilatate plug after drilling and screw the corner fastener.
- b drill the floor and fix the support leg;
- c adjust the support leg on the same level;
- d screw the support legs.



4. Prepared fixing for the parts



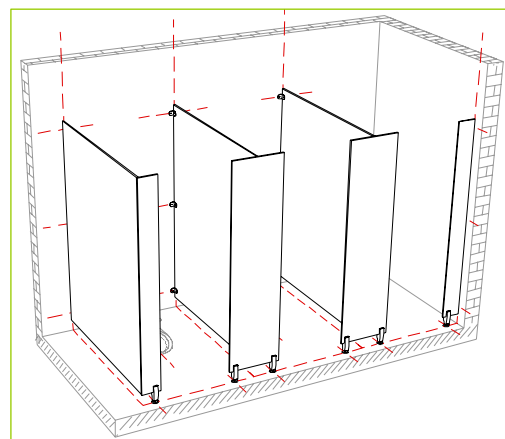
divider and middle pilaster should be fixed by corner fastener first



exposed board and side pilaster should be also fixed by corner fastener

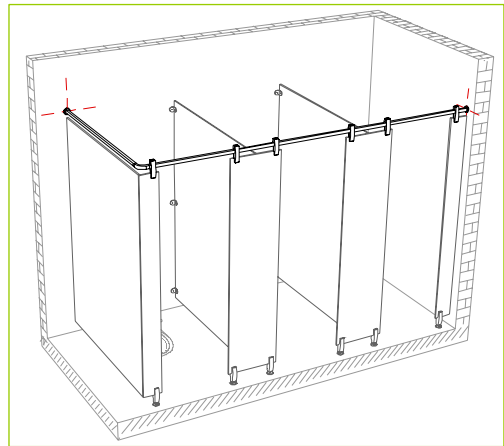
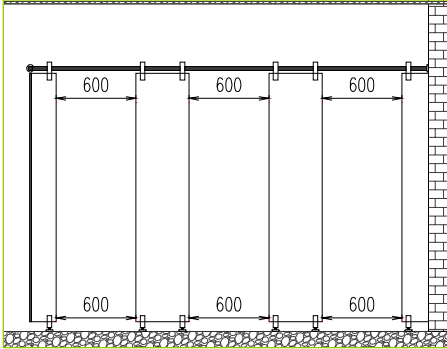
5. Fix the prepared parts into the right place

- a fix one support on the divider to it abut against the wall (take away the support leg later)
- b set position of the divider
- c screw the corner fastener.
- d set other boards in the same way
- e check the boards whether they are in the same level after finishing setting



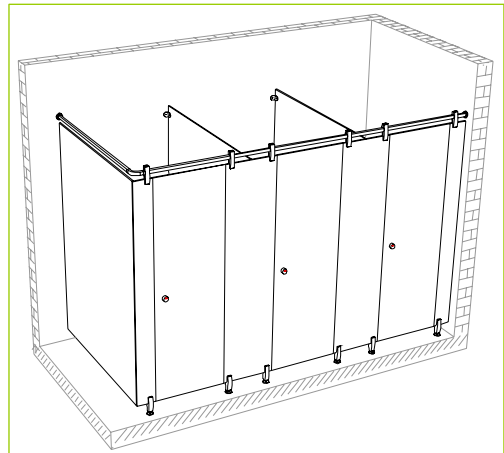
6, Assembling the hanging rail

- assemble the hanger above the pilaster and connect the hanging rail
- check whether middle pilaster and side pilaster are in the same vertical plane;
- 测量门内空顶部和底部的距离，调整控制内空距离差距在0.5mm以内。



7, Assembling the hinges and the door

- fix the drive pin part of hinge on the pilaster;
- assemble the other part of hinge on the door;
- door slit width should be 2mm to 3mm,
- screw the hinge.

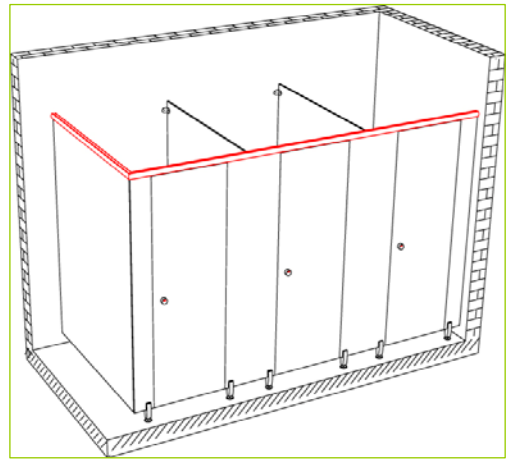
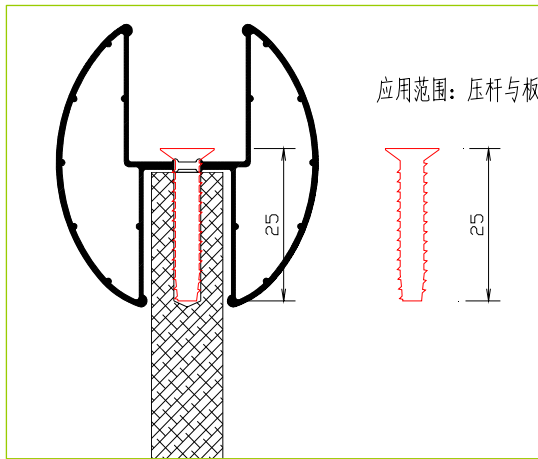
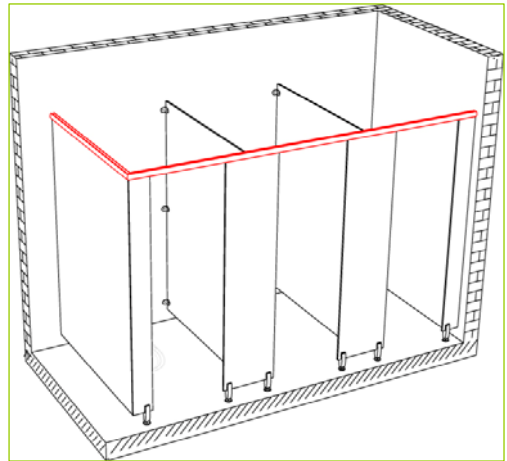


8, Coat hook and other fitting

Follow step9 after step5 if fixing headrail system but not hanging system

9, Assembling of headrail

- a fix the headrail on the boards and screw it ;
- b 测量门顶部和底部的内空距离差距在0.5mm以内。
- c connect the end of headrail and wall by L style corner fastener;
- d adjust all the board to the right place;
- e Door assembling is the same.



9, Introduction of screw

